

**AB18EJ(AB600EJ)/AB18HJ(AB600HJ)**

Compliant with CE/EAC standards

**PRODUCT HIGHLIGHTS****Outstanding strength both indoors and outdoors**

- Smooth off-road and quiet indoor and out door operation.
- 4WD, 40% gradeability.
- Standard active oscillation, excellent terrain-ability.

**Excellent performance, safety and reliability**

- Smart display for easy machine status and fault diagnosis.
- Auxiliary power system.
- Rexroth controller comply with ISO13849 standard.

**Comfortable and efficient**

- The main boom and secondary boom are equipped with angle sensors, to automatically reduce speed at the end of stroke.
- Proportional drive speed reduction on steer angle.



Standard features		
Platform hydraulic leveling	Overload sensing system	355° Turntable rotation
Platform 180° hydraulic rotation	Emergency brake release	Drive enable system
AC cable to platform	Foam-filled non-marking tyres	3 proportional joysticks
Fault diagnosis system	Lead-acid AGM battery	Horn and buzzer alarms
Secondary guarding device	Rexroth system	Flashing Beacon
Emergency lowering system with auxiliary power	Tilt angle up to 5°	2.44m(8') platform
Telematics-ready connector		
Optional features		
1.83 m (6') work platform	Platform worklight	Inverter 220V AC power supply
1.45 m (4'9") work platform	Solid non-marking tires	

ARTICULATING BOOM LIFTS

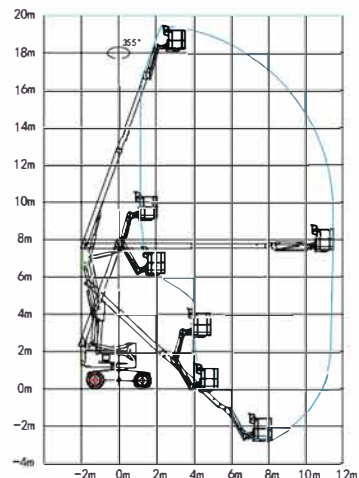
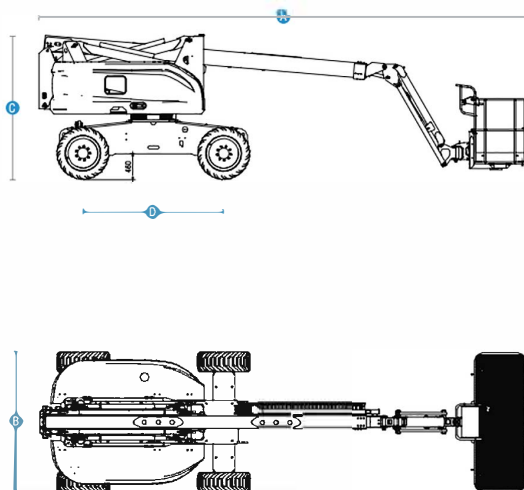
# AB18EJ(AB600EJ)/AB18HJ(AB600HJ)

Compliant with CE/ EAC standards

Model	AB18EJ(AB600EJ)	AB18HJ(AB600HJ)
<b>Dimensions</b>		
Max Platform Height	18.2 m (59'9")	18.2 m (59'9")
Max Working Height	20.2 m (66'3")	20.2 m (66'3")
Max Horizontal Extension	11.5 m (37'9")	11.5 m (37'9")
Max Up and Over Clearance	7.5 m (24'7")	7.5 m (24'7")
A Length-Stowed	8.7 m (28'7")	8.7 m (28'7")
B Width-Stowed	2.49 m (8'2")	2.49 m (8'2")
C Height-Stowed	2.56 m (8'5")	2.56 m (8'5")
D Wheelbase	2.49 m (8'2")	2.49 m (8'2")
Ground Clearance	0.25 m (10")	0.25 m (10")
Platform Dimensions(LxWxH)	2.44x0.91x1.1m (8'x3'x3'7")	2.44x0.91x1.1m (8'x3'x3'7")
<b>Performance</b>		
platform Capacity	230 kg (507lbs) / 2 persons	230 kg (507lbs) / 2 persons
Turntable Rotation	355 °	355 °
Platform Rotation	180 °	180 °
Drive Speed-Stowed	6.5 km/h (4mph)	6.5 km/h (4mph)
Drive Speed-Raised	1.1 km/h (0.68mph)	1.1 km/h (0.68mph)
Gradeability	40 %	40 %
Turning Radius-Inside	2.4 m (7'10")	2.4 m (7'10")
Turning Radius-Outside	5.55 m (18'3")	5.55 m (18'1")
Turntable Tailswing	0.8 m (2'7")	0.8 m (2'7")
Tilt Rating	5 °	5 °
Drive X Steer	4WDx2WS	4WDx2WS
Tire Spec/Type	355/55D625 Foam	355/55D625 Foam
<b>Power</b>		
Engine	-	Kobota 18.2 kW/D1105-E4B-EU-X1,EU Stage5, EPA Tier4f
Batteries	8*6 V,390Ah	8*6 V,390Ah
Control volte	12 VDC	12 VDC
Hydraulic Tank Capacity	70 L (15.4 gal(UK)/18.5 gal(US))	70 L (15.4 gal(UK)/18.5 gal(US))
<b>Weight</b>		
Weight	8,300kg (18,298lbs)	8,400kg (18,519lbs)

Standards

CE/ EAC



We reserve the right to make specification changes without notification.  
The above represents the current specifications at time of publication. 06. 2023

**SINOBOOM**

PARTNERS IN ACCESS™

SINOBOOM.EU | INFO@SINOBOOM.EU | +31 180 225 666  
Nikkestraat 26, 2984 AM Ridderkerk, The Netherlands